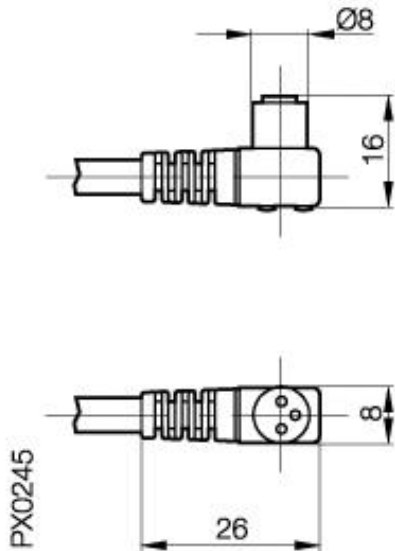


Accessories: Connectors BKS-S 40-6-



Common Data

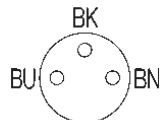
Version	Connector, angle, 3-pin
Usable with	on Sensors with connection S49 (DC,NPN, 18mm)
Manufacturer	Lumberg
Ambient temperature	-25°C...+70°C
Function display	yes
Supply voltage display	yes

Mechanical Data

Measurements WxHxD or Dia x D	26x16x8
Material	Housing Polyester TPU
Protection class per IEC 60529	IP65
Cable version	fully potted, LiYY-0
Conductor cross section	3 x 0,34mm ²

Electrical Data

Supply voltage	10...30VDC
----------------	------------



Datasheet number::

Definitions see general catalog.
If not otherwise noted, ratings according to IEC 60947-5-2 (DIN EN60947-5-2)

Balluff GmbH
Schurwaldstrasse 9
73765 Neuhausen a.d.F.
Phone (07158) 173-0 Fax (07158) 5010

Datenblatt by CD-ROM - 04/2007

BALLUFF
sensors worldwide